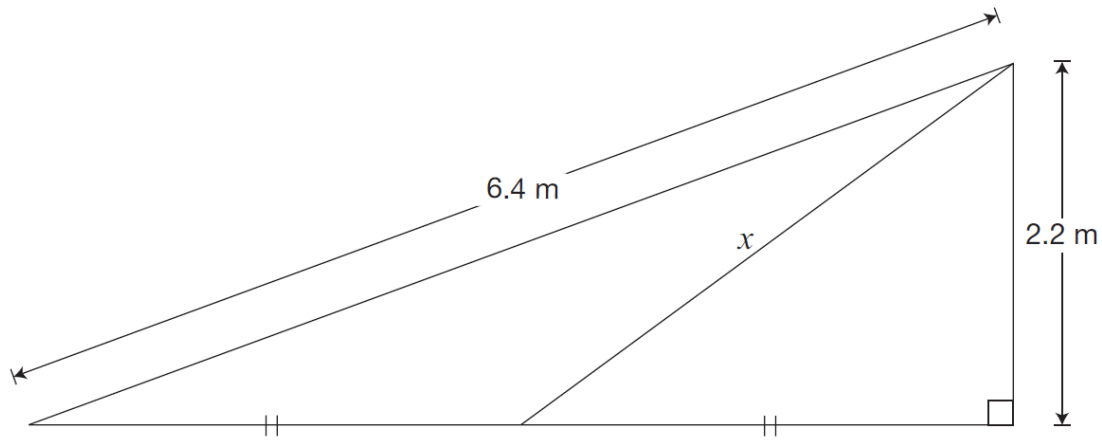


**29 All the Right Stuff**

The diagram below shows a small right triangle inside a large right triangle.

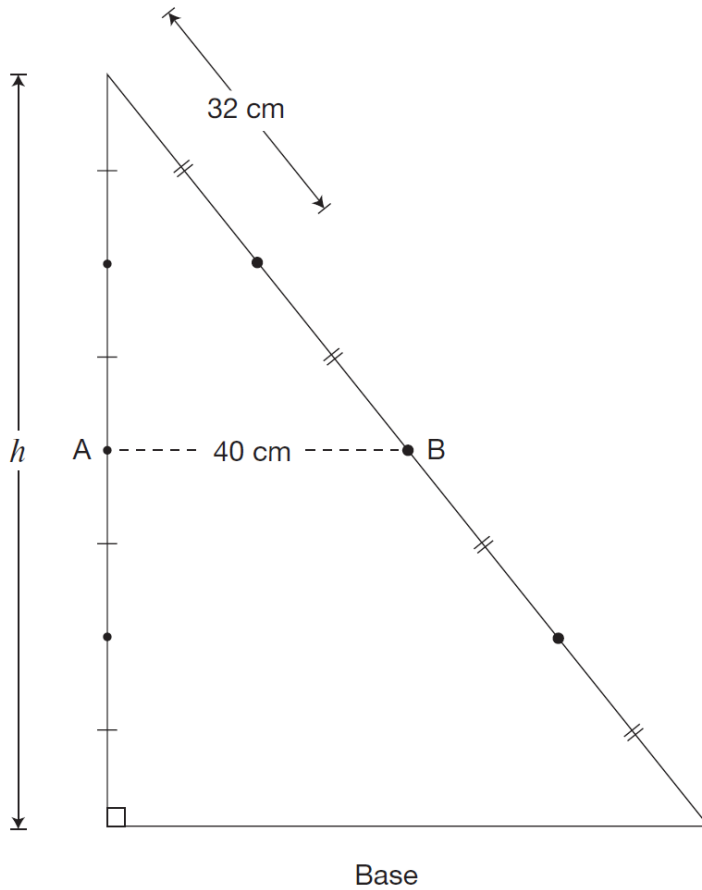


Determine the value of  $x$ .

Show your work.

**30** Tricky Triangle

Line segment AB joins the midpoints of two sides of the triangle below. The length of AB is half the length of the base of the triangle.

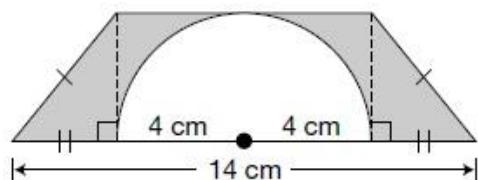


Determine the value of  $h$  in the diagram.

Show your work.

**32** Something's Missing

The semicircle in the diagram below has a radius of 4 cm.

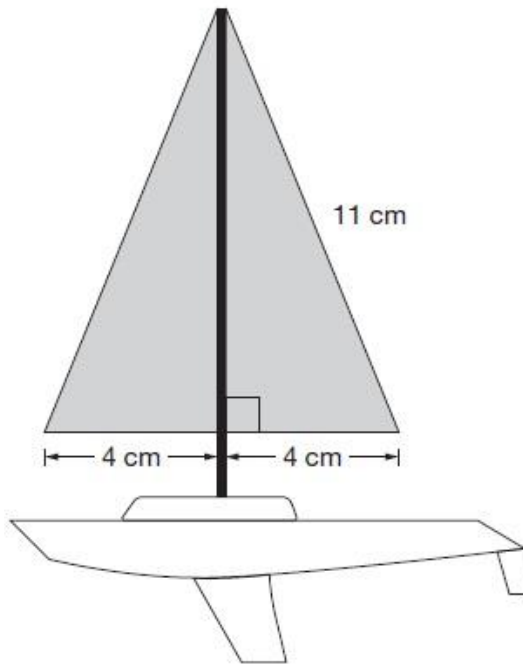


What is the area of the shaded region?

Show your work.

**33 Toy Sailboats**

Emelina makes toy sailboats as shown below.

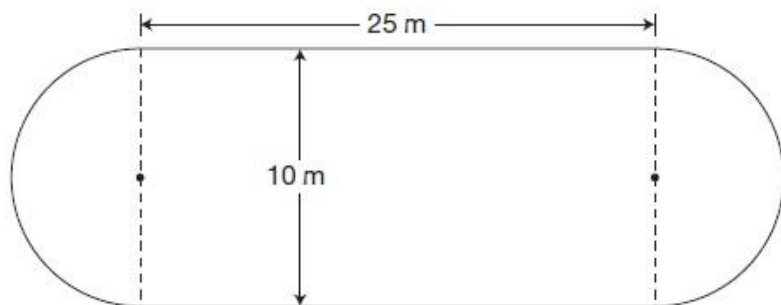


Determine the total area of the shaded sails.

Show your work.

**34** Building an Ice Rink

Jake builds an ice rink as shown below.



Determine the perimeter of the rink.

Show your work.